



GGM POEINS30S

DC Input Boost Fiber PoE Injector

Product Overview

GGM POEINS30S is a single-port, industrial-scale, boost PoE injector. It provides 55Vdc, 0.55A power for remote PDs over 2 pairs output with 6KV (10/700us) surge protection. It supports 1000Mbps of data speed. It works for 30W PoE PDs, such as wireless access points, network cameras, Voip phones and other high power Ethernet terminals. Fully comply with IEEE802.3at and remains compatible with any IEEE802.3af compliant devices.

It equipped switch chip inside so that the PoE can works as a switch.

GGM POEINS30S is designed for indoor use. It works with input voltage of 12-55Vdc and operates under -40 °C to 65 °C. It has detection chip inside, which will detect and classify PD before powering it. It will not apply power until a standard-compliant PD is detected. The effective distance is 100m over Cat5e/Cat6 cables.

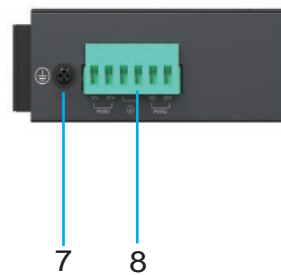
This model equipped standard DIN rail mounting bracket, which can easily jam into the guide rail.



Product Profile



- 1. SFP Fiber port
- 2. PoE output port
- 3. PoE Load indicator

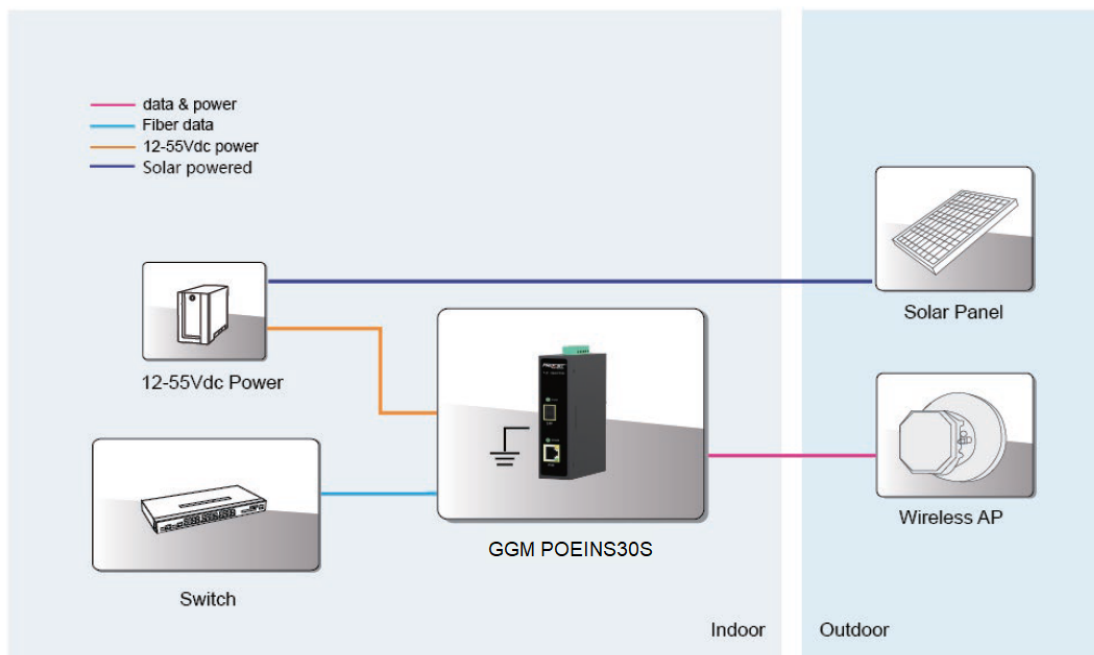


- 4. PoE Data indicator
- 5. Power indicator
- 6. SFP Fiber indicator



- 7. Earth
- 8. DC input port
- 9. DIN rail mounting bracket

Product Working Diagram



Specification

Standard

- IEEE802.3 10Base-T Ethernet
- IEEE802.3u 100Base-Tx Fast Ethernet
- IEEE802.3ab 1000Base-T Gigabit Ethernet
- Full compliant with IEEE802.3af/at
- RoHS Compliance
- WEEE Compliance

Input & Output

- Input :12-55Vdc 4.0A (Max)
- Output: 55Vdc 550mA
- Power Pins: 4/5(+), 7/8(-)
- Data Speed: 10/100/1000BASE-T RJ45 Interfaces
1000BASE-X SFP Interfaces

Working Environment

- Operating Temperature: -40 °C to 65 °C
- Operating Humidity: 20% to 80%, non-condensation
- Storage Temperature: -40 °C to 85 °C
- Storage Humidity: 10% to 90%, non-condensation
- Operating Altitude: up to 5000meters

PoE Surge Protection

- Protected line: 1,2,3,4,5,6,7,8
- Common mode surge protection(10/700us): 6KV
- Differential mode surge protection (10/700us): 1.5KV

Mechanical Characteristics

- Case: Metal
- Color: Black
- Mounting: DIN-rail
- IP Rated: IP40
- Size: 144.5mm X 95mm X 35.4mm
- Weight: 485g

Safety Approvals

- CE

EMI

- FCC CFR47 Part 15, EN55032, EN55035

EMS

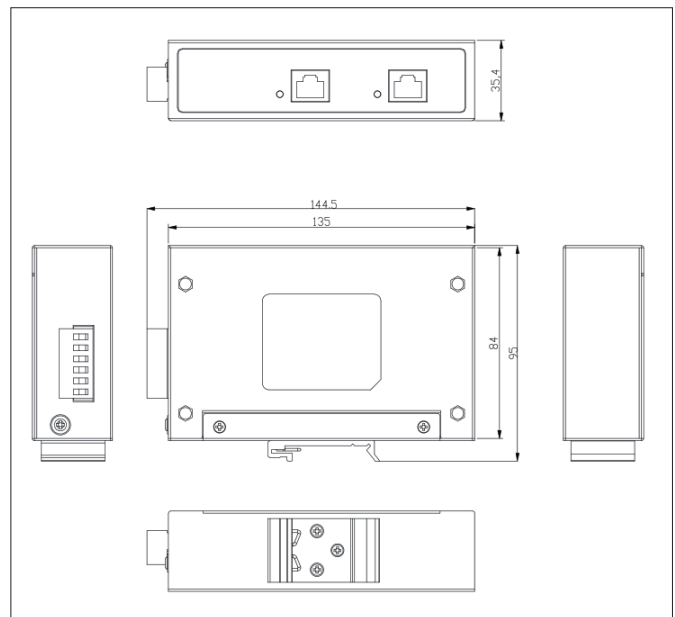
- IEC61000-4-2(ESD) $\pm 6kV$ (contact), $\pm 8kV$ (air)
- IEC61000-4-3(RS) 10V/m(80MHz~2GHz)
- IEC61000-4-4(EFT) Power Port: $\pm 2kV$; Data Port: $\pm 1kV$
- IEC61000-4-5(Surge) Power Port: $\pm 1kV/DM$, $\pm 2kV/CM$
- IEC61000-4-6(CS) 10V(150kHz~80MHz)

Immunity

- IEC60068-2-6(Vibration)
- IEC60068-2-27(Impact)
- IEC60068-2-32(Free Fall)

LED Indicator

- Power Indicator : Green
- PoE Load Indicator : Green
- SFP fiber indicator: Green
- PoE data indicator: Yellow



Order Info. GGM POEINS30S Boost/55Vdc/0.55A/100Mbps/4,5(+),7,8(-) /Surge Protection/Fiber/Active

Packing GGM POEINS30S
Ground lug Wire: 16AWG
Manual x 1